



Designed by Christophe Pillet, the DUNAS XL collection represents the essence of lounge seating. The elegant seating bodies are available in two heights, and can be combined with different swivel or fixed bases available in metal or wood. Its enveloping and fluid shapes, together with a sophisticated design of pure and elegant lines, are an invitation to take a seat, relax and unwind.

Lounge chair with high back and high 4 spoke aluminum swivel base

Code: **DUN0025**



Upholstered lounge chair with high backrest and high 4 spoke swivel base made of cast aluminum.

Seat shell: inner frame in steel padded with moulded polyurethane foam with a density of 50 kg/m³.

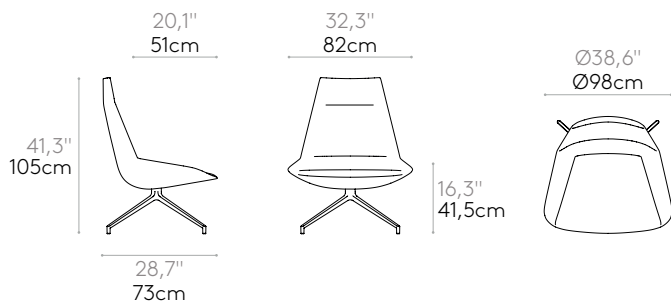
Upholstery: in all the fabrics and leathers indicated in our finishes book.

Base finishes: polished or micro-textured powder coated in colours M1 and M2 from our metallic swatch card.

Glides: plastic glides as standard. Felt glides and glides for carpet flooring are available with an upcharge.



Product with GREENGUARD Gold Certificate.



COM 140cm / 55,1" per unit

1 unit	230cm / 90,6"
8 or more units	210cm / 82,7"

COM will be priced as G2

KG	16,6kg	1 unit	22,1 kg 0,83 m ³ 1,08 yd ³
----	--------	--------	--



Recycled*

Lounge chair with low back and high 4 spoke aluminum swivel base

Code: **DUN0020**



Upholstered lounge chair with low backrest and high 4 spoke swivel base made of cast aluminum.

Seat shell: inner frame in steel padded with moulded polyurethane foam with a density of 50 kg/m³.

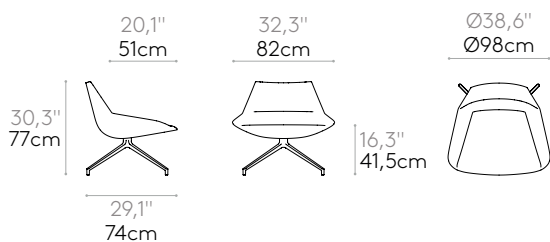
Upholstery: in all the fabrics and leathers indicated in our finishes book.

Base finishes: polished or micro-textured powder coated in colours M1 and M2 from our metallic swatch card.

Glides: plastic glides as standard. Felt glides and glides for carpet flooring are available with an upcharge.



Product with GREENGUARD Gold Certificate.



COM 140cm / 55,1" per unit

1 unit	200cm / 78,7"
8 or more units	180cm / 70,9"

COM will be priced as G2

KG	15,7kg	1 unit	18,9 kg 0,54 m ³ 0,71 yd ³
----	--------	--------	--



Recycled*

Lounge chair with high back and flat 4 spoke aluminum base

Code: **DUN0055**



Upholstered lounge chair with high backrest and flat 4 spoke swivel base made of cast aluminum with self-return.

Seat shell: inner frame in steel padded with moulded polyurethane foam with a density of 50 kg/m³.

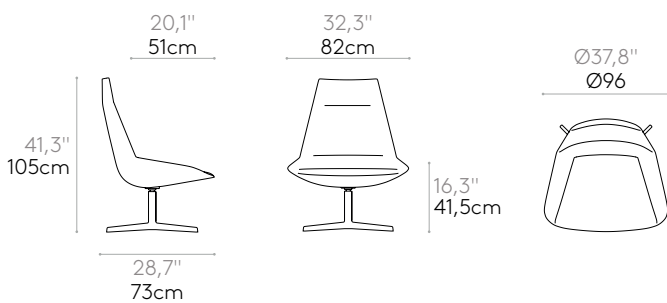
Upholstery: in all the fabrics and leathers indicated in our finishes book.

Base finishes: polished or micro-textured powder coated in colours M1 and M2 from our metallic swatch card.

Glides: plastic glides as standard. Felt glides and glides for carpet flooring are available with an upcharge.



Product with GREENGUARD Gold Certificate.



COM 140cm / 55,1" per unit

1 unit	230cm / 90,6"
--------	---------------

8 or more units	210cm / 82,7"
-----------------	---------------

COM will be priced as G2

KG	16,1kg
----	--------

1 unit	21,6 kg
	0,83 m ³
	1,08 yd ³



Recycled*

Lounge chair with low back and flat 4 spoke aluminum base

Code: **DUN0050**



Upholstered lounge chair with low backrest and flat 4 spoke swivel base made of cast aluminum with self-return.

Seat shell: inner frame in steel padded with moulded polyurethane foam with a density of 50 kg/m³.

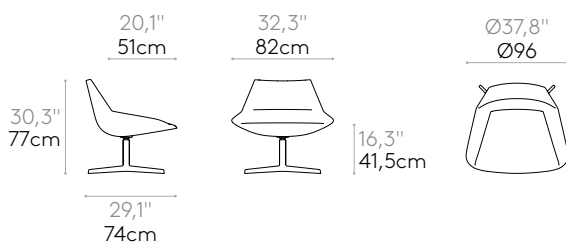
Upholstery: in all the fabrics and leathers indicated in our finishes book.

Base finishes: polished or micro-textured powder coated in colours M1 and M2 from our metallic swatch card.

Glides: plastic glides as standard. Felt glides and glides for carpet flooring are available with an upcharge.



Product with GREENGUARD Gold Certificate.



COM 140cm / 55,1" per unit

1 unit	200cm / 78,7"
--------	---------------

8 or more units	180cm / 70,9"
-----------------	---------------

COM will be priced as G2

KG	15,4kg
----	--------

1 unit	18,6 kg
	0,54 m ³
	0,71 yd ³



Recycled*

Lounge chair with high back and rod frame

Code: **DUN0015**



Upholstered lounge chair with high backrest and round steel rod frame.

Seat shell: inner frame in steel padded with moulded polyurethane foam with a density of 50 kg/m³.

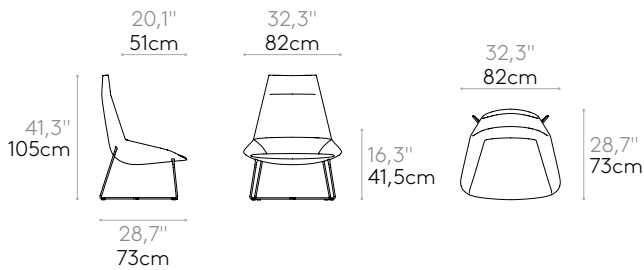
Upholstery: in all the fabrics and leathers indicated in our finishes book.

Base finishes: in chrome or micro-textured powder coated in colours M1 and M2 from our metallic swatch card.

Glides: plastic glides as standard. Felt glides and glides for carpet flooring are available with an upcharge.



Product with GREENGUARD Gold Certificate.



COM 140cm / 55,1" per unit

1 unit	230cm / 90,6"
--------	---------------

8 or more units	210cm / 82,7"
-----------------	---------------

COM will be priced as G2

15kg

20,5 kg
0,83 m³
1,08 yd³



Recycled*

Lounge chair with low back and rod frame

Code: **DUN0010**



Upholstered lounge chair with low backrest and round steel rod frame.

Seat shell: inner frame in steel padded with moulded polyurethane foam with a density of 50 kg/m³.

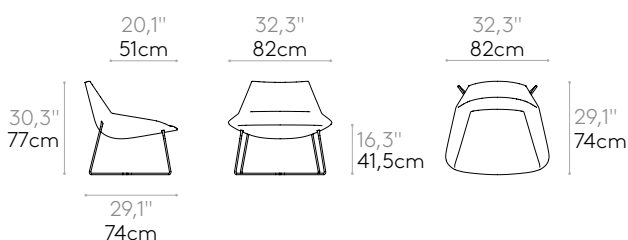
Upholstery: in all the fabrics and leathers indicated in our finishes book.

Base finishes: in chrome or micro-textured powder coated in colours M1 and M2 from our metallic swatch card.

Glides: plastic glides as standard. Felt glides and glides for carpet flooring are available with an upcharge.



Product with GREENGUARD Gold Certificate.



COM 140cm / 55,1" per unit

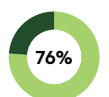
1 unit	200cm / 78,7"
--------	---------------

8 or more units	180cm / 70,9"
-----------------	---------------

COM will be priced as G2

13,4kg

16,6 kg
0,54 m³
0,71 yd³



Recycled*

Lounge chair with high back and 4 spoke wooden swivel base

Code: **DUN0045MA**



Upholstered lounge chair with high backrest and 4 spoke swivel oak base, reinforced with an inner steel structure.

Seat shell: inner frame in steel padded with moulded polyurethane foam with a density of 50 kg/m³.

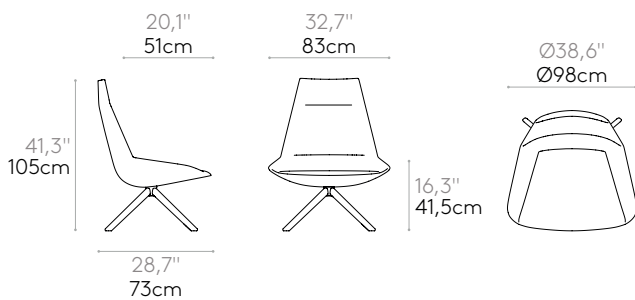
Upholstery: in all the fabrics and leathers indicated in our finishes book.

Leg finishes: in any of the oak finishes from our wood swatch card.

Glides: plastic glides as standard. Felt glides and glides for carpet flooring are available with an upcharge.



Product with GREENGUARD Gold Certificate.



COM 140cm / 55,1" per unit

1 unit	230cm / 90,6"
--------	---------------

8 or more units	210cm / 82,7"
-----------------	---------------

COM will be priced as G2

18,6kg

24,1 kg
0,83 m³
1,08 yd³



Recycled*

Lounge chair with low back and 4 spoke wooden swivel base

Code: **DUN0040MA**



Upholstered lounge chair with low backrest and 4 spoke swivel oak base, reinforced with an inner steel structure.

Seat shell: inner frame in steel padded with moulded polyurethane foam with a density of 50 kg/m³.

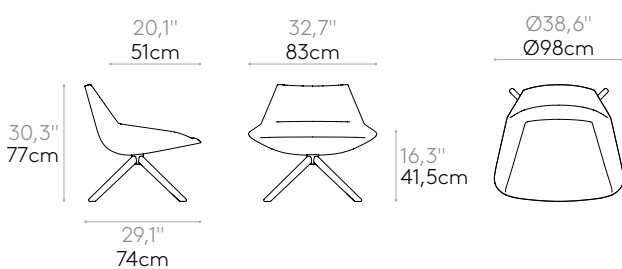
Upholstery: in all the fabrics and leathers indicated in our finishes book.

Leg finishes: in any of the oak finishes from our wood swatch card.

Glides: plastic glides as standard. Felt glides and glides for carpet flooring are available with an upcharge.



Product with GREENGUARD Gold Certificate.



COM 140cm / 55,1" per unit

1 unit	200cm / 78,7"
--------	---------------

8 or more units	180cm / 70,9"
-----------------	---------------

COM will be priced as G2

17,2kg

20,4 kg
0,54 m³
0,71 yd³



Recycled*

Lounge chair with low back and wooden 4 leg frame

Code: **DUN0040MA**



Upholstered lounge chair with low backrest and 4 leg frame in solid oak.

Seat shell: inner frame in steel padded with moulded polyurethane foam with a density of 50 kg/m³.

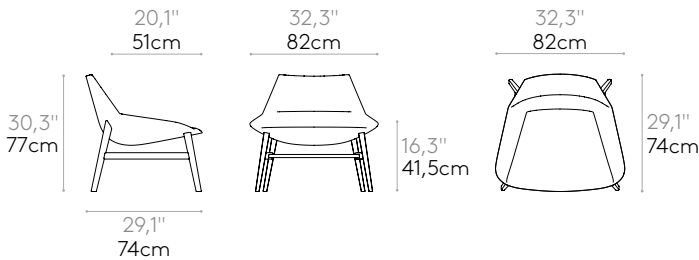
Upholstery: in all the fabrics and leathers indicated in our finishes book.

Frame finishes: in any of the oak finishes from our wood swatch card.

Glides: plastic glides as standard. Felt glides and glides for carpet flooring are available with an upcharge.



Product with GREENGUARD Gold Certificate.



COM 140cm / 55,1" per unit

1 unit	200cm / 78,7"
--------	---------------

8 or more units	180cm / 70,9"
-----------------	---------------

COM will be priced as G2

13,5kg

1 unit
16,7 kg
0,54 m³
0,71 yd³



Recycled*

Low table

Code: **DUN0070**



Occasional table with wooden top and round steel rod frame.

Top finishes: in any of the oak veneer finishes or lacquered in colours W1 and W2 from our table tops swatch card.

Base finishes: in chrome or micro-textured powder coated in colours M1 and M2 from our metallic swatch card.

Glides: plastic glides as standard. Felt glides and glides for carpet flooring are available with an upcharge.







10,5kg

1 unit
12,5 kg
0,23 m³
0,30 yd³



Recycled*

OPTIONAL ITEMS & ACCESSORIES

	Code	Description
	DUN0080OP	Set of 4 felt glides for sled frame (upcharge)
	DUN0090OP	Set of 4 felt glides for 4 spoke aluminum swivel base (upcharge)
	DUN0155OP	Set of 4 felt glides for wooden base (upcharge)
	DUN0580OP	Set of 4 felt glides for 4 spoke aluminum flat base (upcharge)