

Ambiance Bureau



SPRINTER

by CHAT BOARD®

product sheet

SPRINTER

Sprinter is the fast-moving and agile new addition to the CHAT BOARD range of freestanding, mobile glass boards. Athletically precise in both shape and performance, it offers a perfectly balanced all-in-one solution, ideal for environments where flexibility is key, be they corporate, creative or educational.

In a pleasingly streamlined design, Sprinter merges monochrome textures of glass and softly powder coated steel in a triumphant trio of appealingly earthy shades that lend themselves perfectly to commercial spaces.

Sprinter was deliberately created in one-size-fits-most dimension that require very limited space while delivering plenty of writing surface. It is based on a light, yet reassuringly stable, tri-pod shaped steel frame, mounted with a magnetic glass board that matches the colour of the structure.

Units are delivered flat packed and easily assembled on site, thus reducing both shipping costs and environmental impact.

CHAT BOARD® Sprinter steel frames are powder coated in Signal White (RAL 9003), (colour equivalent to) Sand or (colour equivalent to) Khaki and mounted with a colour-matching 4 mm tempered safety glass, in accordance with the highest quality standards, finished with smooth C-edges and 4 mm radius corners. They are available in two varieties: a standard version with glossy glass and a version with matt glass. For orders of larger quantities, bespoke colour combinations may be made to order upon request.

Please contact our head office with any special requests: info@chat-board.dk



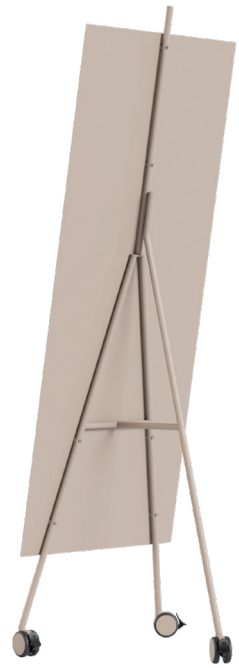
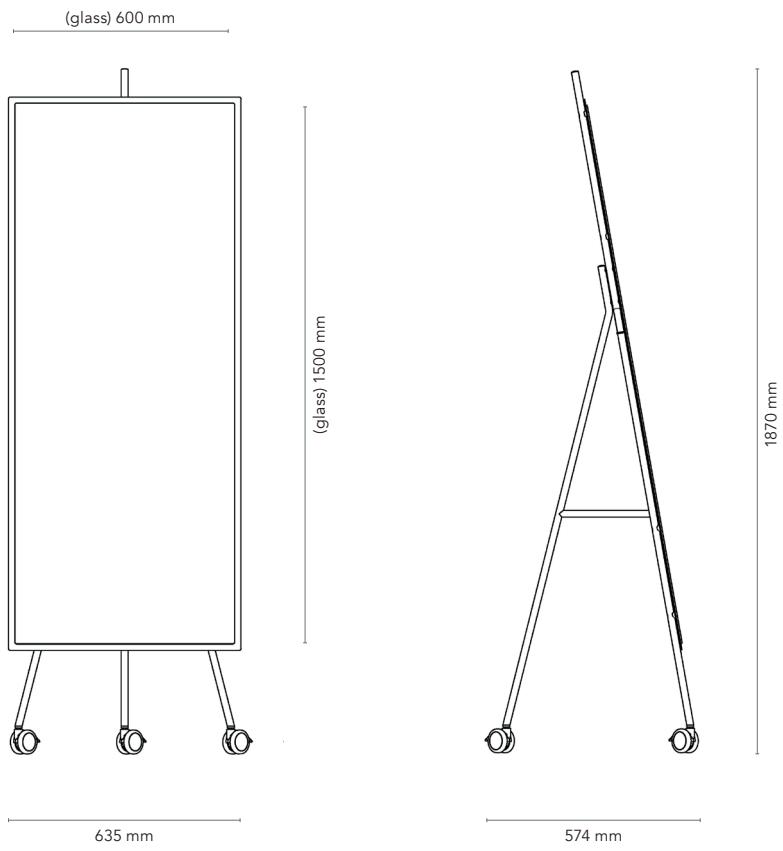
SPRINTER

Item no.	Description	Dimensions		Weight
	White steel (RAL 9003) with Pure White glass	Glass W x H mm	Total size W x H x D mm	kg
Glossy glass				
SPRRAL9003	Sprinter magnetic glass board on matching mobile steel base (Pure White)	600 x 1500	635 x 1870 x 574	29.0
Matt glass				
SPMRAL9003	Sprinter <i>matt</i> magnetic, glass board on matching mobile steel base (Pure White)	600 x 1500	635 x 1870 x 574	29.0
	Sand (≅) steel with Sand glass	Glass W x H mm	Total size W x H x D mm	kg
Glossy glass				
SPRSAND	Sprinter magnetic glass board on matching mobile steel base (Sand)	600 x 1500	635 x 1870 x 574	29.0
Matt glass				
SPRMSAND	Sprinter <i>matt</i> magnetic, glass board on matching mobile steel base (Sand)	600 x 1500	635 x 1870 x 574	29.0
	Khaki (≅) steel with Khaki glass	Glass W x H mm	Total size W x H x D mm	kg
Glossy glass				
SPRKHAKI	Sprinter magnetic glass board on matching mobile steel base (Khaki)	600 x 1500	635 x 1870 x 574	29.0
Matt glass				
SPRMKHAKI	Sprinter <i>matt</i> magnetic, glass board on matching mobile steel base (Khaki)	600 x 1500	635 x 1870 x 574	29.0
Add accessories with a Basic Kit (only available for purchase with a main CHAT BOARD® product):				
KITBLACK	Basic kit Black	1 Black Marker Pen, 3 Chrome Magnets		



SPRINTER

Dimensions



SPRINTER

Images

